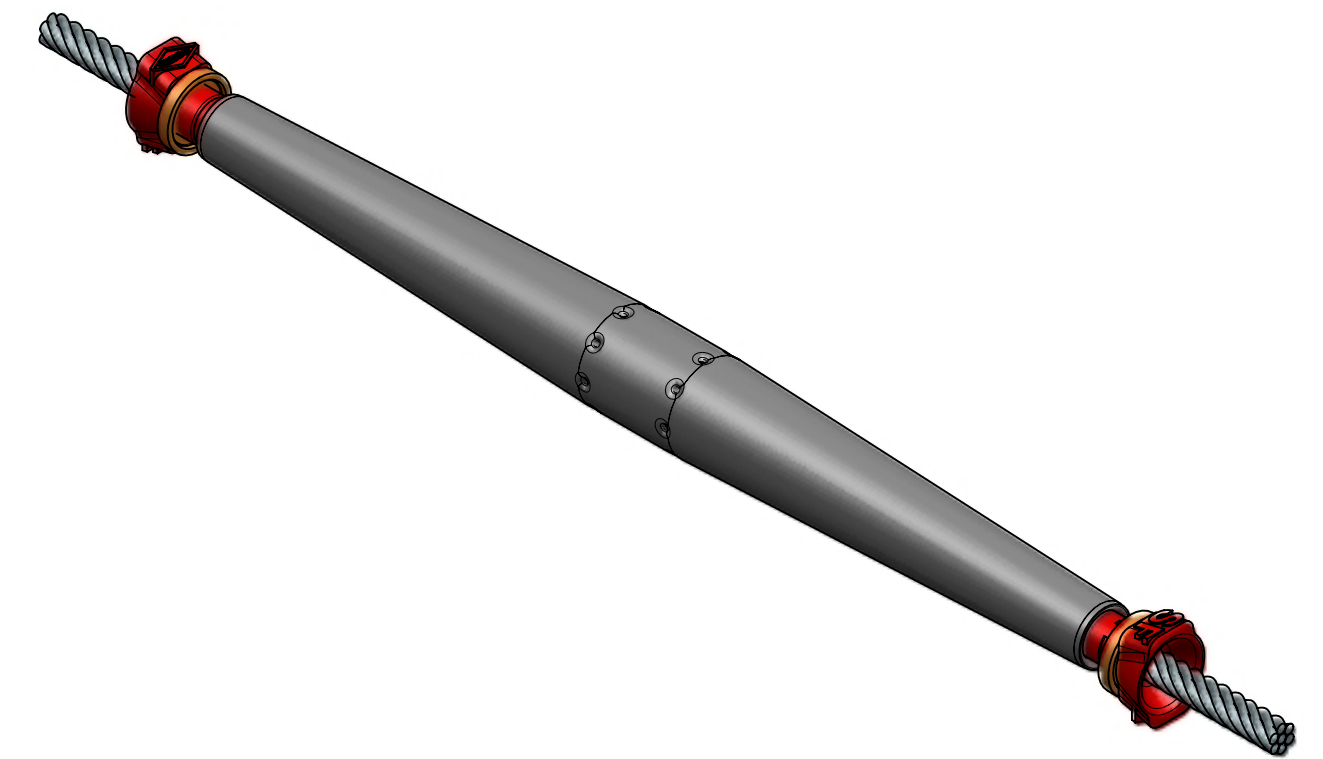
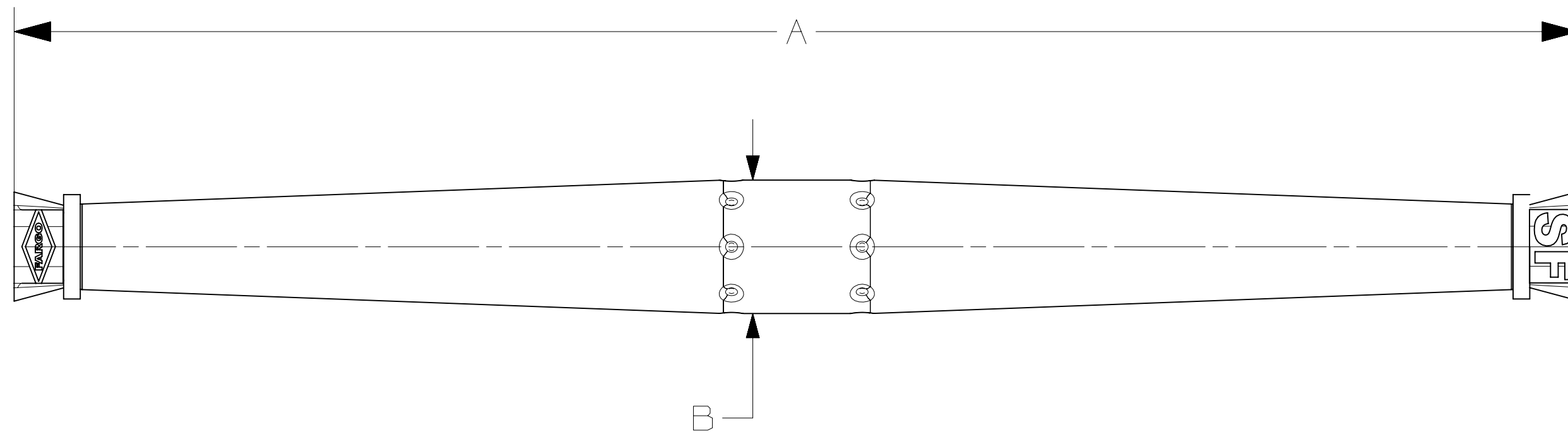
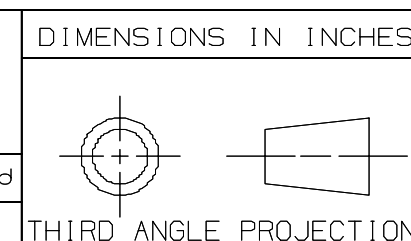


CATALOG NUMBER	CONDUCTOR SIZE	DECIMAL RANGE	COLOR CODE	A	B	STANDARD PACK
GLSF4042A	4 - 2 ACSR, AAAC, AAC	.220 - .320	RED - ORANGE	12	1.0	25
GLSF4076A	1/0 - 2/0 ACSR, AAAC, AAC	.355 - .470	YELLOW - GRAY	18	1.4	25
GLSF4098	3/0 - 4/0 ACSR, AAAC, AAC	.450 - .595	PINK - BLACK	22	1.7	25
GLSF410	266.8 18/1 ACSR, 312.8 AAAC, *336.4 AAC	.603 - .666	BROWN	19	1.7	25
GLSF411	336.4 18/1 ACSR, 394.5 AAAC, *397.5 & **336.4 AAC	.659 - .724	GREEN	20	1.8	25
GLSF412	397.5 18/1 ACSR, 465.4 AAAC, *477 AAC	.702 - .795	BLUE	22	2.0	25
GLSF413	477 18/1 ACSR, 559.5 AAAC, *556.5 & 500 AAC	.780 - .858	WHITE	24	2.1	10

* INCLUDES COMPACT CONDUCTOR OF SAME SIZE
 ** ROUND ONLY



EC #	REV	DESCRIPTION	DATE	CHG BY	APPR'd
61597	00	SEE SHEET 1	07/23/15	SD	SD
REVISION HISTORY					



HPS [®]		HUBBELL [®] POWER SYSTEMS	
TITLE SUREFIT [™] ALUMINUM AUTOMATIC SPLICE			
SIZE	DWG NO.	CAT / PART / ASSY NO.	REV
C	CC-20854	SEE TABLE	00
SCALE:	NONE	DRN BY:	SD
DATE:	07/21/15	SHEET 2 OF 2	